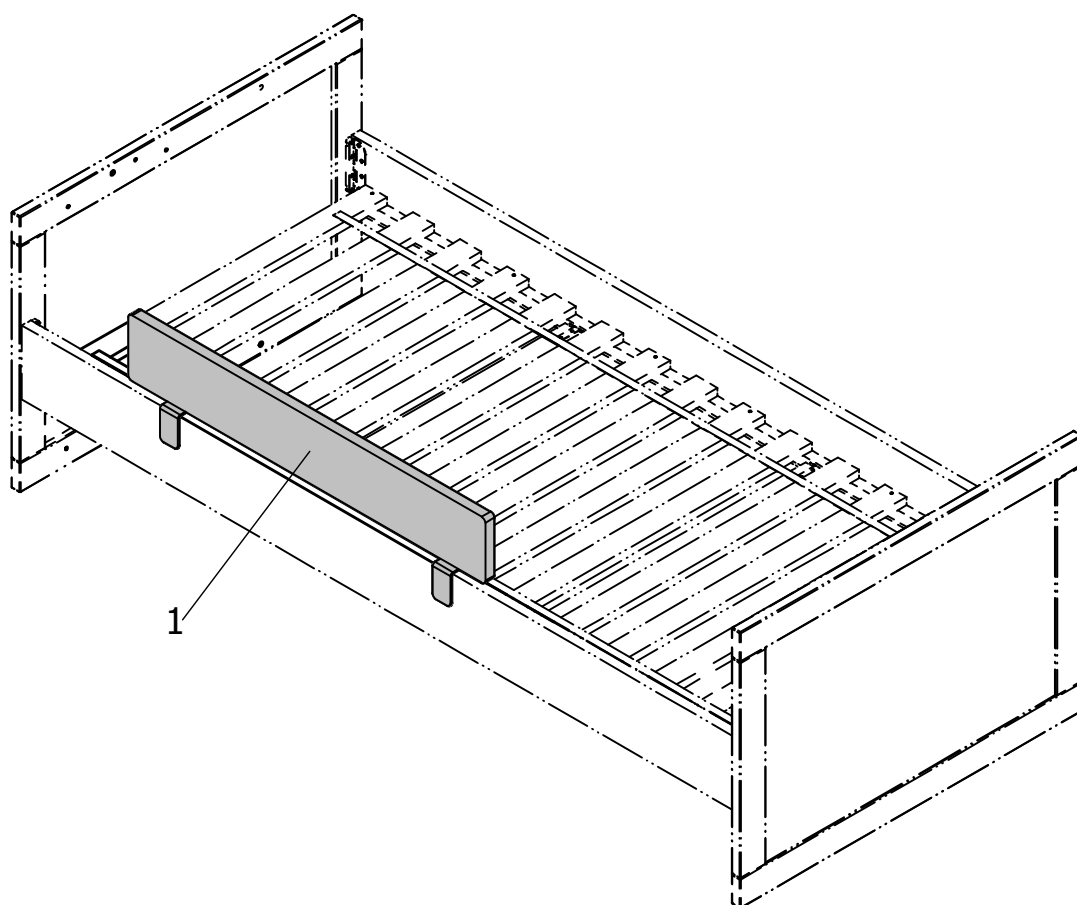


# bopita®

ASSEMBLY INSTRUCTION  
MONTAGE HANDLEIDING  
MONTAGE ANLEITUNG  
NOTICE DE MONTAGE  
MANUAL DE MONTAJE

UK  
NL  
D  
F  
ESP

MODEL :PROTECTIONSIDE  
TYPE :RETRO  
COLOUR :WHITE  
ART.CODE :196187.11.






Distributor:

BOPITA  
Edisonweg 3, 6662 NW Elst  
The Netherlands

[www.bopita.com](http://www.bopita.com)

08.10.2019.

A 	B 	C 
M6X16 4X	M4x6 2X	2X
artcode: 431027	artcode: 443206	artcode: 897014

